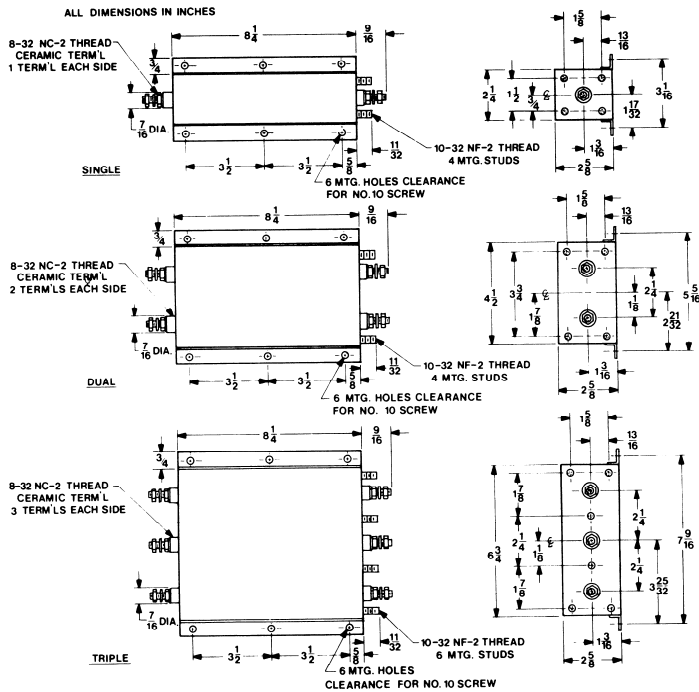
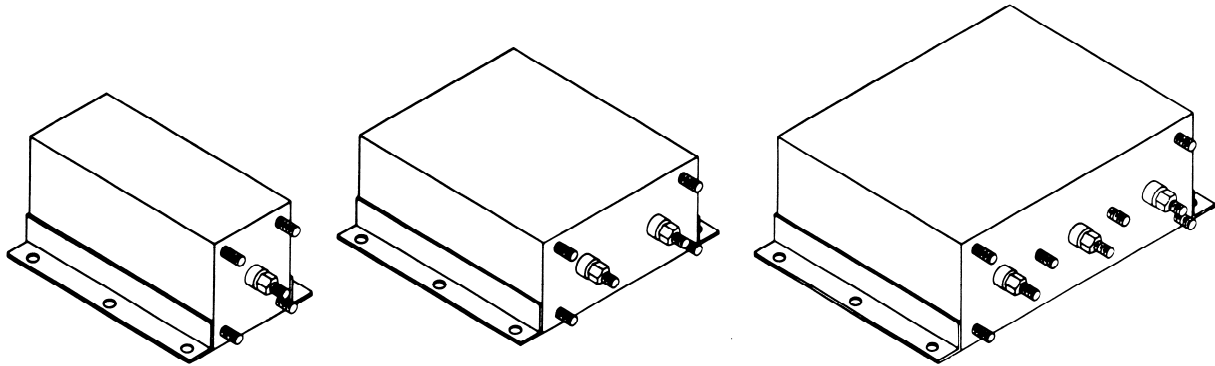




RFI/EMC Filters 5, 10 & 15 AMP FCL-55



HIGHLIGHTS

High reliability, units are hermetically sealed; terminals are made of high temperature ceramic; complies with MIL-F-15733, where applicable.

For world wide use, these filters are available mounted in (UL) steel plated cabinets with standard knockouts for installation in all types of wiring.

See page 21.
See page 17 for installation.

PART NO	Current (amperes)	Line-to-ground Voltage VAC VDC	Frequency (Hz)	Approx WT (lbs)
FCL 55-5	5	130 400	0-400	3
FCL 55-10	10	130 400	0-400	3
FCL 55-15	15	130 400	0-400	3
FCL 55-2 x 5	2x5	130 400	0-400	6
FCL 55-2 x 10	2x10	130 400	0-400	6
FCL 55-2 x 15	2x15	130 400	0-400	6
FCL 55-3 x 5	3x5	130 400	0-400	9
FCL 55-3 x 10	3x10	130 400	0-400	9
FCL 55-3 x 15	3x15	130 400	0-400	9

ATTENUATION: 100 db from 90 KHz to 1 GHz measured in accordance with MIL-STD-220A.

