



## *RFI/EMC Filters Accessories*

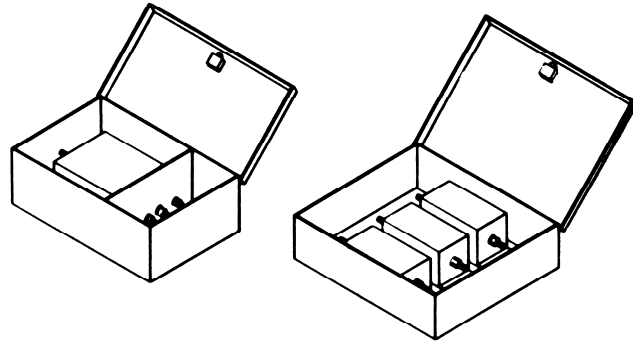
### *FCL 55, -66, -660 Series*

#### UL APPROVED CABINETS FC-20 000 SERIES

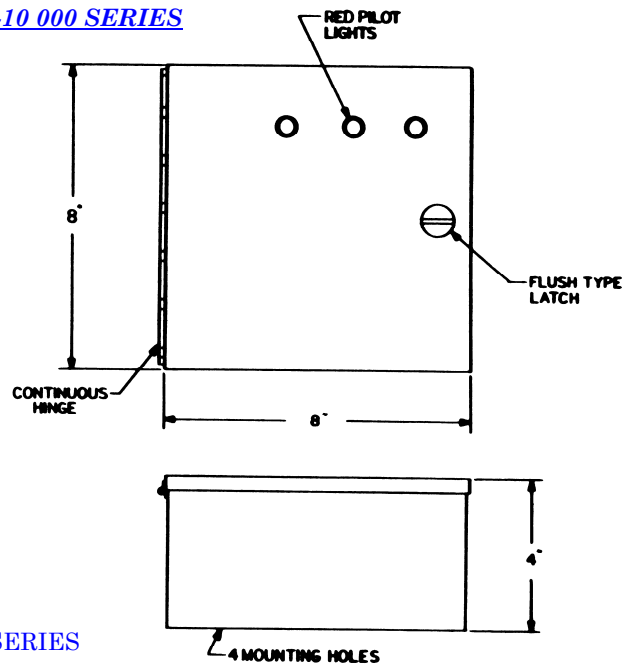
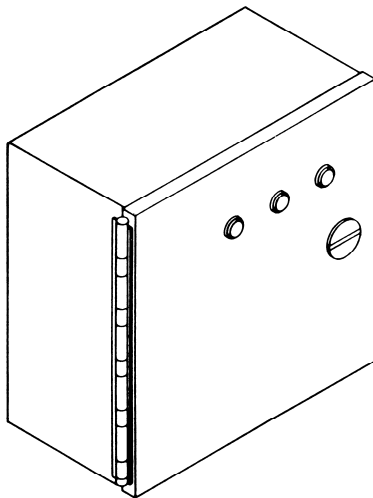
**FCL-55, -66, -660** Series Filters are available installed in UL approved cabinets with standard knockouts.

Select suitable size from chart

Part No	Dimensions (inches)
FC-20 000-1	10 x 10 x 3
FC-20 000-2	18 x 12 x 4
FC-20 000-3	18 x 12 x 6
FC-20 000-4	24 x 18 x 6



#### FIL-COIL DISCHARGE UNIT FC-10 000 SERIES



#### FIL-COIL DISCHARGE UNIT FC-10 000 SERIES

RFI/EMC filters contain large, high quality capacitor sections which can store dangerous charges of electrical energy long after the main source of electrical power has been turned off.

All filtered circuits and power supply lines can present a serious hazard to personnel and equipment unless filter capacitors are properly and safely discharged.

The capacitor discharge device is a mandatory safety requirement under NEC 460 and NEMA Standard 11-17-1960

Part No	Application
FC-10 000-1	1 filtered circuit
FC-10 000-2	2 filtered circuit
FC-10 000-3	3 filtered circuit
FC-10 000-4	4 filtered circuit

Red Pilot light furnished for each filtered circuit

