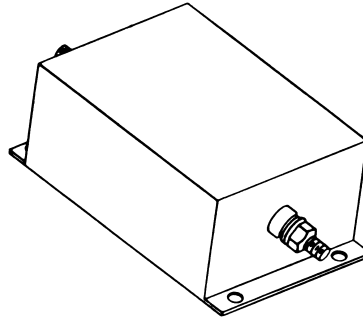
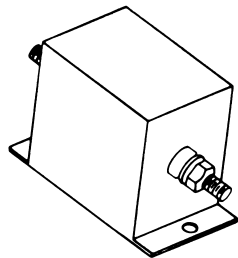




RFI/EMC Filters 5 to 300 AMP

FCL-66, -660

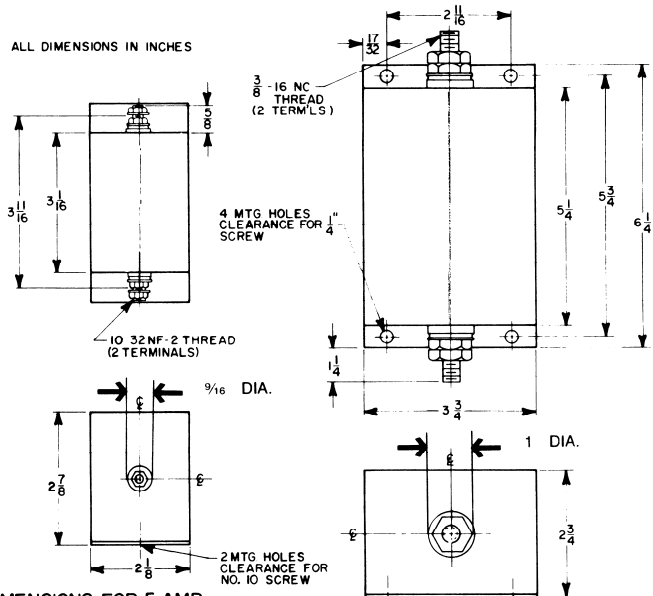


HIGHLIGHTS

Reliable. Low price.
 Hermetically sealed.
 Filter case is metallic and plated to prevent corrosion.
 Fil-Coil FCL-66 Series Filters are designed for low level interference. Objective is low cost, without compromising the quality and workmanship of the filter.
 FCL-66 and 660 Series Filters are used in screen rooms, medical apparatus, induction heaters and other noise generating equipment.

See page 17 for installation.

ALL DIMENSIONS IN INCHES



DIMENSIONS FOR 5 AMP THRU 50 AMP UNITS

DIMS. FOR 75 AMP THRU 300 AMP UNITS

Part No.	Max. Current (amps)	Maximum Voltage AC	Maximum Voltage DC	Power Line Frequency	Approx. Wt. (lbs.)
FCL 66-5	5	250	600	0-60 Hz	1 1/2
FCL 66-10	10	250	600	0-60 Hz	1 1/2 >
FCL 66-15	15	250	600	0-60 Hz	1 3/4
FCL 66-25	25	250	600	0-60 Hz	1 3/4
FCL 66-50	50	250	600	0-60 Hz	1 3/4
FCL 66-75	75	250	600	0-60 Hz	5 1/4
FCL 66-100	100	250	600	0-60 Hz	5 1/4
FCL 66-200	200	250	600	0-60 Hz	6 1/4
FCL 66-300'	300	250	600	0-60 Hz	6 1/2
FCL 660-5	5	250	600	0-400 Hz	1 1/2
FCL 660-10	10	250	600	0-400 Hz	1 1/2 >
FCL 660-15	15	250	600	0-400 Hz	1 3/4
FCL 660-25	25	250	600	0-400 Hz	1 3/4
FCL 660-50	50	250	600	0-400 Hz	1 3/4
FCL 660-75	75	250	600	0-400 Hz	5 1/4
FCL 660-100	100	250	600	0-400 Hz	5 1/4

FCL 66 and 660 Series Filters can be supplied in U.L.

approved steel plated surface cabinets with standard knock-outs. See page 21.

Part No.	INSERTION LOSS (db)									
	0.15 MHz	0.3 MHz	0.5 MHz	1.0 MHz	5.0 MHz	10 MHz	30 MHz	50 MHz	100 MHz	ISO MHz
FCL 66-5	62	85	84	77	69	64	55	51	47	42
FCL 66-10	62	85	84	77	69	64	55	51	47	42
FCL 66-15	47	67	83	85	73	68	63	59	50	42
FCL 66-25	47	67	83	85	73	68	63	59	50	42
FCL 66-50	40	64	81	79	70	65	57	53	45	40
FCL 66-75	67	86	91	89	73	68	60	54	40	33
FCL 66-100	67	86	91	89	73	68	60	54	40	33
FCL 66-200	43	65	89	90	79	74	62	61	44	26
FCL 66-300	44	67	71	67	55	46	40	35	32	25
FCL 660-5	62	85	84	77	69	64	55	51	47	42
FCL 660-10	62	85	84	77	69	64	55	51	47	42
FCL 660-15	47	67	83	85	73	68	63	59	50	42
FCL 660-25	47	67	83	85	73	68	63	59	50	42
FCL 660-50	40	64	81	79	70	65	57	53	45	40
FCL 660-75	67	86	91	89	73	68	60	54	40	33
FCL 660-100	67	86	91	89	73	68	60	54	40	33

